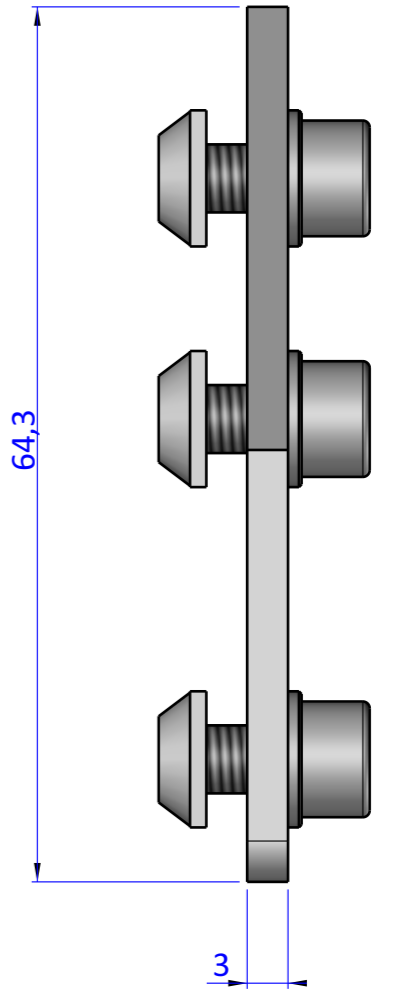
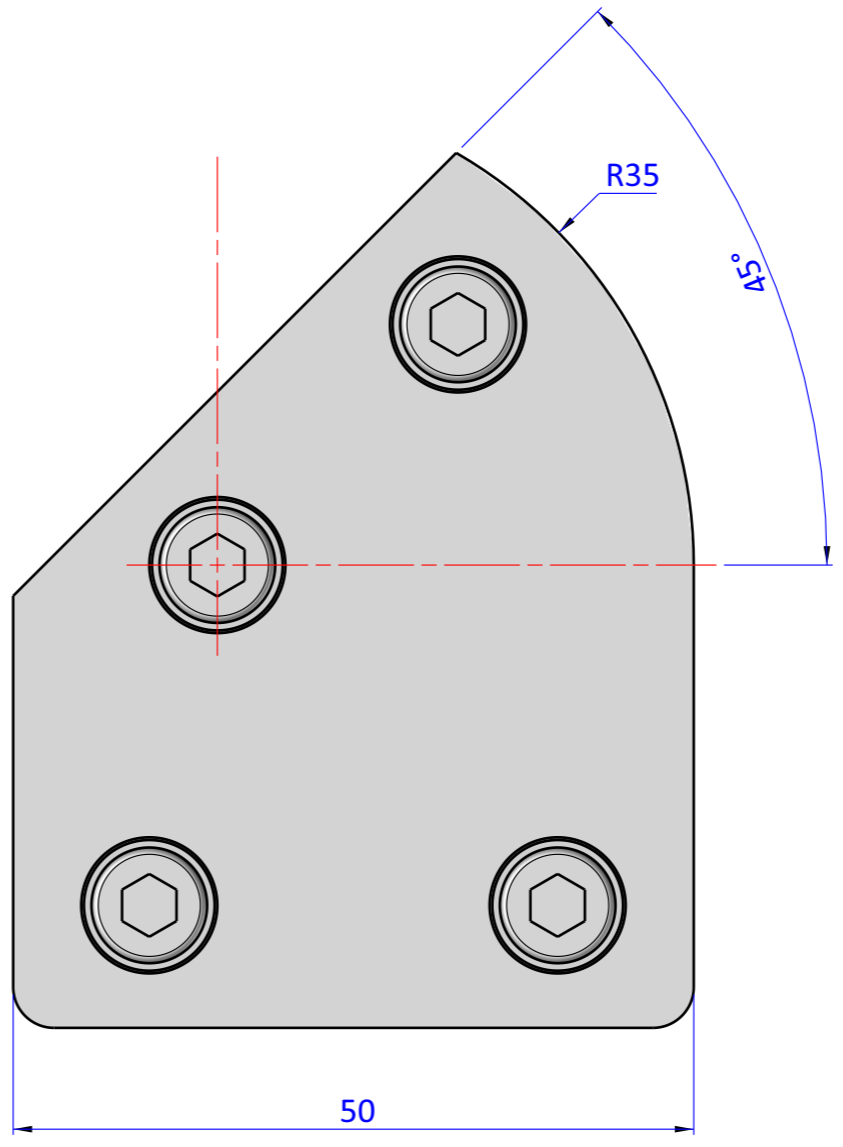
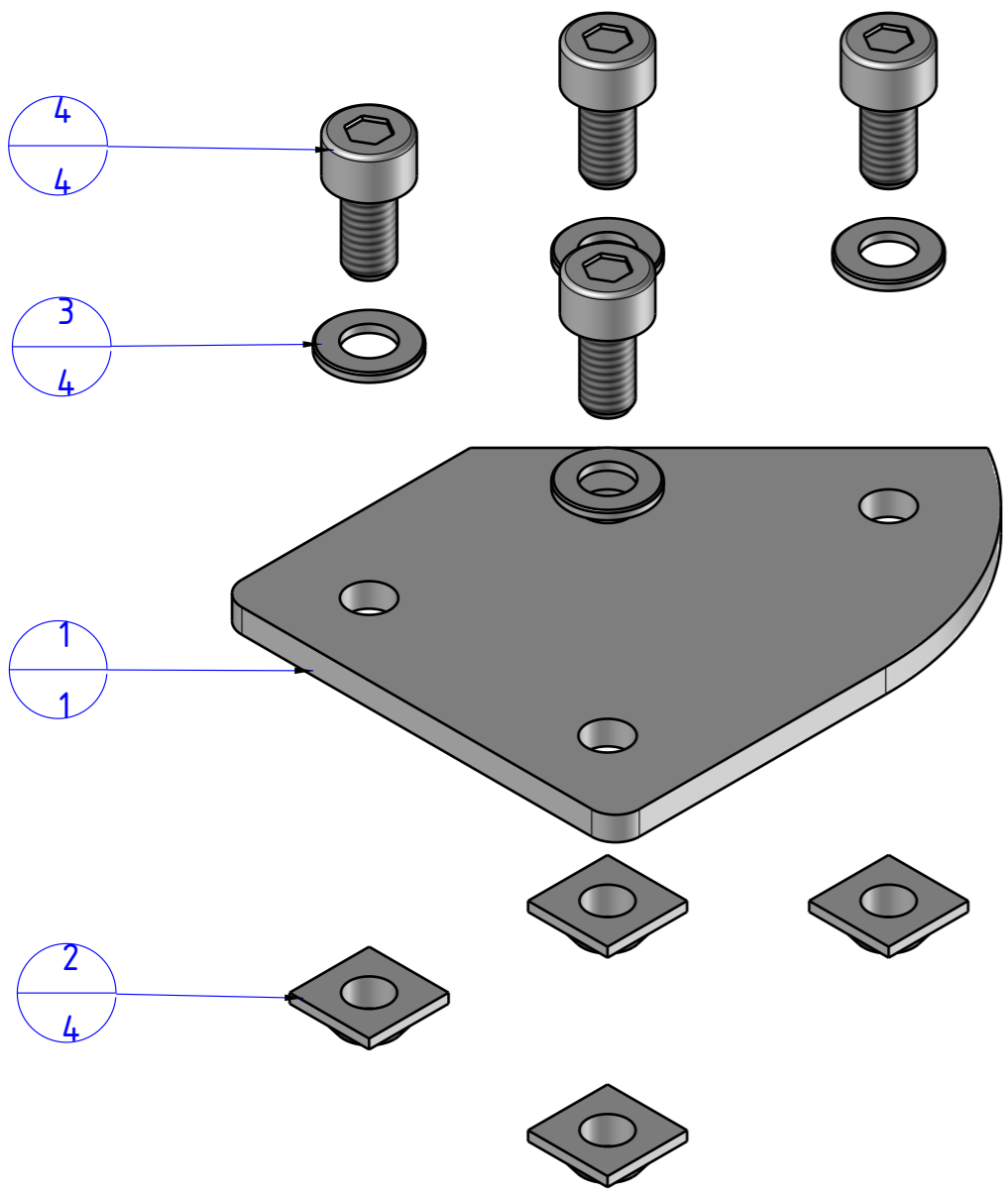


Item	Name	Q.ty
1	03-10-002	1
2	CA.02.05.007	4
3	R.5	4
4	V.TCE5x10	4



THE PROPERTY OF THE DRAWING IS ESTABLISHED BY LAW. IT IS FORBIDDEN TO PRODUCE OR SHOW IT TO THIRD PART. WITHOUT A WRITTEN AGREEMENT.

Format A3
UNI 936-76

FPS FPSERVICES AUTOMATION			DESIGNED FROM FPS Automation	REVIEW A
GENERAL TOLERANCE UNI - ISO 2768 CLASSE f	DESCRIPTION CA.03.10.002	DATE 11/05/2020	WEIGHT 0,016kg	CODE CA.03.10.002